

Wolke m600[®] advanced

Small Character Thermal Ink Jet Printer

Ink Jet.

Laser.

Thermal Transfer.

Labelers.

Track & Trace.

Supplies.

Parts & Service.



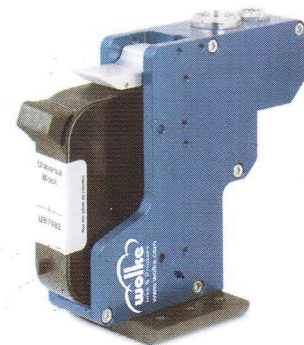
Superior print quality. Clean, no mess operation. Solid state electronics requiring no controller maintenance. The Wolke m600 advanced thermal ink jet printer is designed for demanding industrial applications, suitable for both stand-alone operation and fully-integrated into production line equipment. It's engineered for customers with complex coding requirements including remote printer control, high speed serialization, and DataMatrix marking.

Capabilities

- High resolution print suitable for machine vision inspection
- Wide range of bar codes (including 2D DataMatrix)
- Standard Ethernet and RS-232 for remote control
- Can drive up to 4 printheads independent or together

Simple to maintain

- Solid state electronics with no moving parts



VIDEOJET
Uptime Peace of Mind[®]



wolke
Inks & Printers

Wolke m600[®] advanced

Small Character Thermal Ink Jet Printer

Ink Jet. Laser. Thermal Transfer. Labelers. Track & Trace. Supplies. Parts & Service

Select Product Specifications

Line Speed / Resolution Capability

250 fpm (75 mpm) at 600x240 dpi
Maximum resolution of 600x600 dpi

Line speed dependent on selected print resolution

Linear Bar Codes

EAN8, EAN13, UPC-A, CODE128, EAN128, 2/5i, Codabar, CODE39

DataMatrix Codes

DataMatrix (20 matrix sizes available), EAN-DataMatrix, QR Code

Keyboard

Membrane style with tactile feedback, including 81 numeric, alphabetic, and special function keys. PC-style layout to approximate international PC convention.

Display

640x240 pixel backlit 8.5" LCD display
Near WYSIWYG onscreen message editing

Language Options

English, Czech, Danish, Dutch, Finnish, French, German, Hungarian, Italian, Norwegian, Polish, Portuguese, Slovenian, Spanish, Swedish, Turkish

Data Interface

TCP/IP, RS 232, USB-B

Controller Dimensions

13.8" (350 mm) long
9.8" (250 mm) wide
5.6" (142 mm) high

Dimensions exclude printhead, accessory cables and power supply connections

Printhead Dimensions

Four printhead options are available with different dimensions to meet line integration requirements

The following dimensions are for the Standard Blue printhead:

4.5" (115 mm) long
4.3" (110 mm) high
2.4" (60 mm) wide (at rub plate)

Dimensions exclude cartridge and cable connections

Red, Green, and Gold printhead dimensions vary in length and height from Blue printhead

Environmental Protection

IP65 (controller)

Temperature/Humidity Range

41°F to 113°F (5°C to 45°C)

Non-condensing humidity

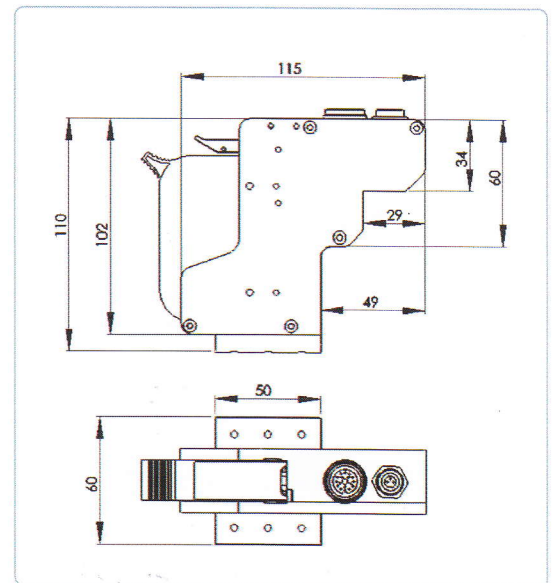
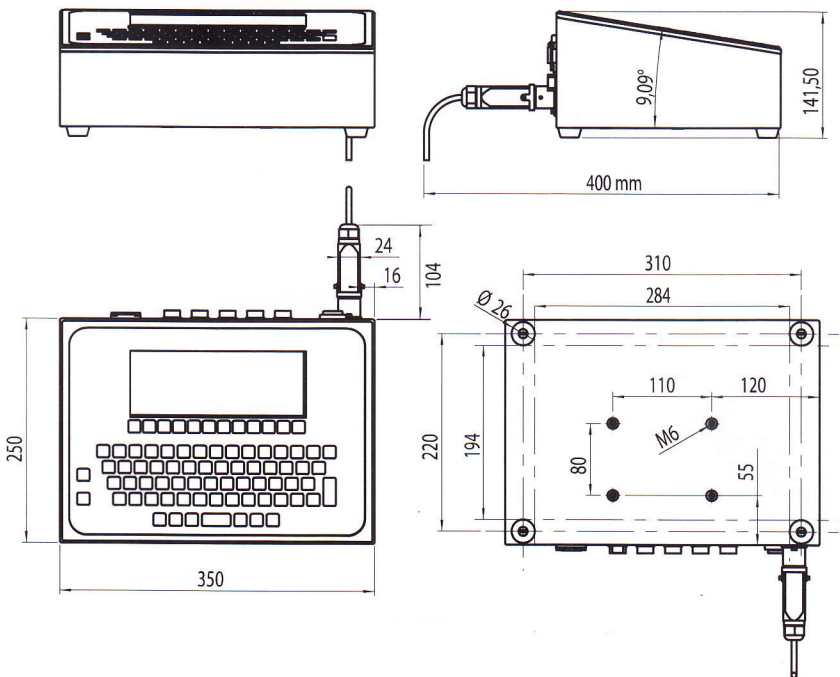
Electrical Requirements

Nominal supply power 115 or 230/240 VAC at 50/60 Hz

Approximate Weight (Controller)

17.0 lbs (7.7 kgs)

Dimensions



Standard Blue Printhead



800-843-3610 / www.videojet.com / info@videojet.com

Videojet Technologies Inc. / 1500 Mittel Blvd. / Wood Dale IL 60191-1073 / USA

Phone 630-860-7300 Fax 800-582-1343

